

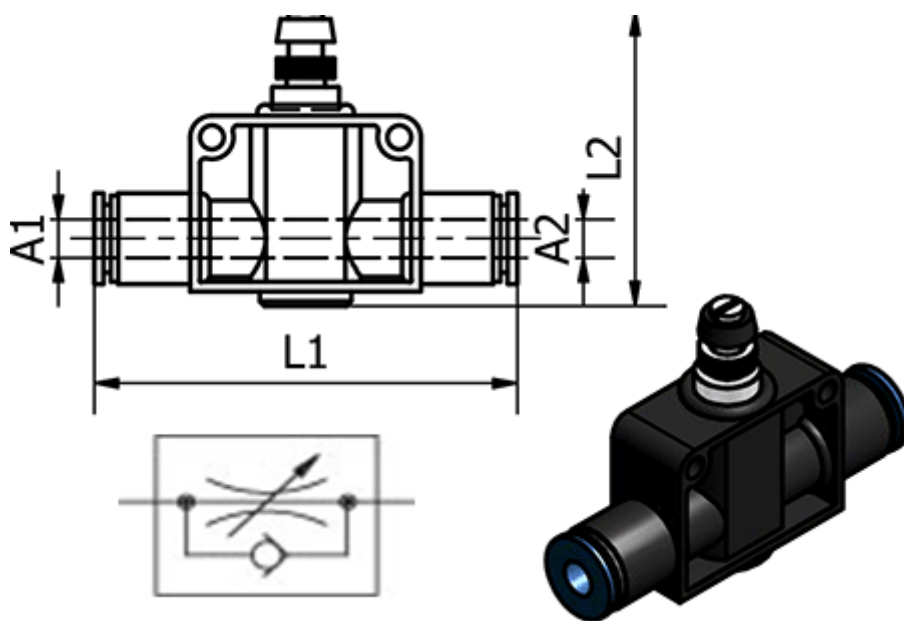
Data Sheet



Article number: 5861811010

Description: Flow Control Valve 181.1010, Ø10 Ø10
Push-in

Measures



Ext. Hose Diameter A1	= 10
Ext. Hose Diameter A2	= 10
L1	= 62.7
L2	= 52.3